

SEPREMIUM 2 *Serviceable*

Oil/water separator for compressor capacities up to 2 m³/min.

PRODUCT FEATURES

As condensate flows in to the SEPREMIUM 2 Serviceable, the oil is filtered out through various filtration stages.

The SEPREMIUM 2 Serviceable is developed according to the latest ecological standard and convinces with its possible <5 ppm residual oil content.

High-performance elements ensure that the best environmentally compatible results are achieved, in addition to easy handling.

Our SEPREMIUM 2 Serviceable is installed with the mounting bracket (included in delivery). Replacing the SEPREMIUM 2 Serviceable elements is easy to do.

As soon as the condensate enters the SEPREMIUM 2 Serviceable, it is filtered through the various filter elements. The oil absorbing elements combine different types of adsorption technologies, assuring a result of less than 5 ppm residual oil content at the exit can be achieved.



COMMERCIAL BENEFITS

- Application of high-quality filtration material
- Simple, quick and clean installation and replacement process
- Successful separation of mineral oil, synthetic oil and stable condensate emulsions
- Bracket for wall mounting included
- Brass hose connectors ensure quick and stable installation
- Easy installation and maintenance

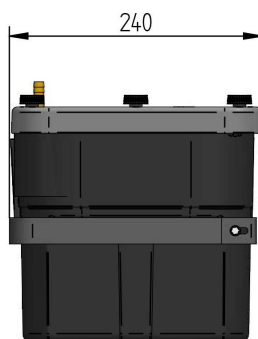
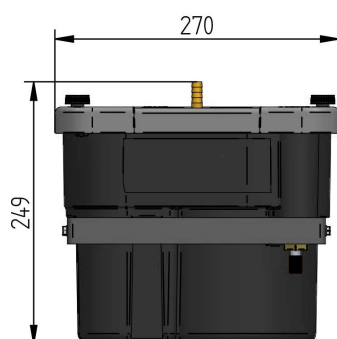
TECHNICAL ADVANTAGES

- Any type and design of condensate drain can be used
- Special designs are available to treat the condensates from "stable condensate emulsions" and polyglycol powered compressed air systems
- First class value for money
- Compact dimensions ensure easy handling and installation

SEPREMIUM 2 *Serviceable*

Oil/water separator for compressor capacities up to 2 m³/min.

DIMENSIONS



Max. compressor capacity	2 m ³ /min.
Max. oil adsorption	2 Litres
High performance white element	1
Activated carbon element	1
Inlet connection	1/2" with 10 mm hose
Outlet connection	1/2" with 13 mm hose
TEST valve	Yes
Housing material	PP
Housing color	Black
Lid color	Grey
TEST kit included	Yes
Target oil residue output value	<5ppm
Inlet and outlet hose pipe connectors	Included
DIBT	Yes



SEPARATION OF:

Mineral lubricants	Yes
Synthetic lubricants	Yes